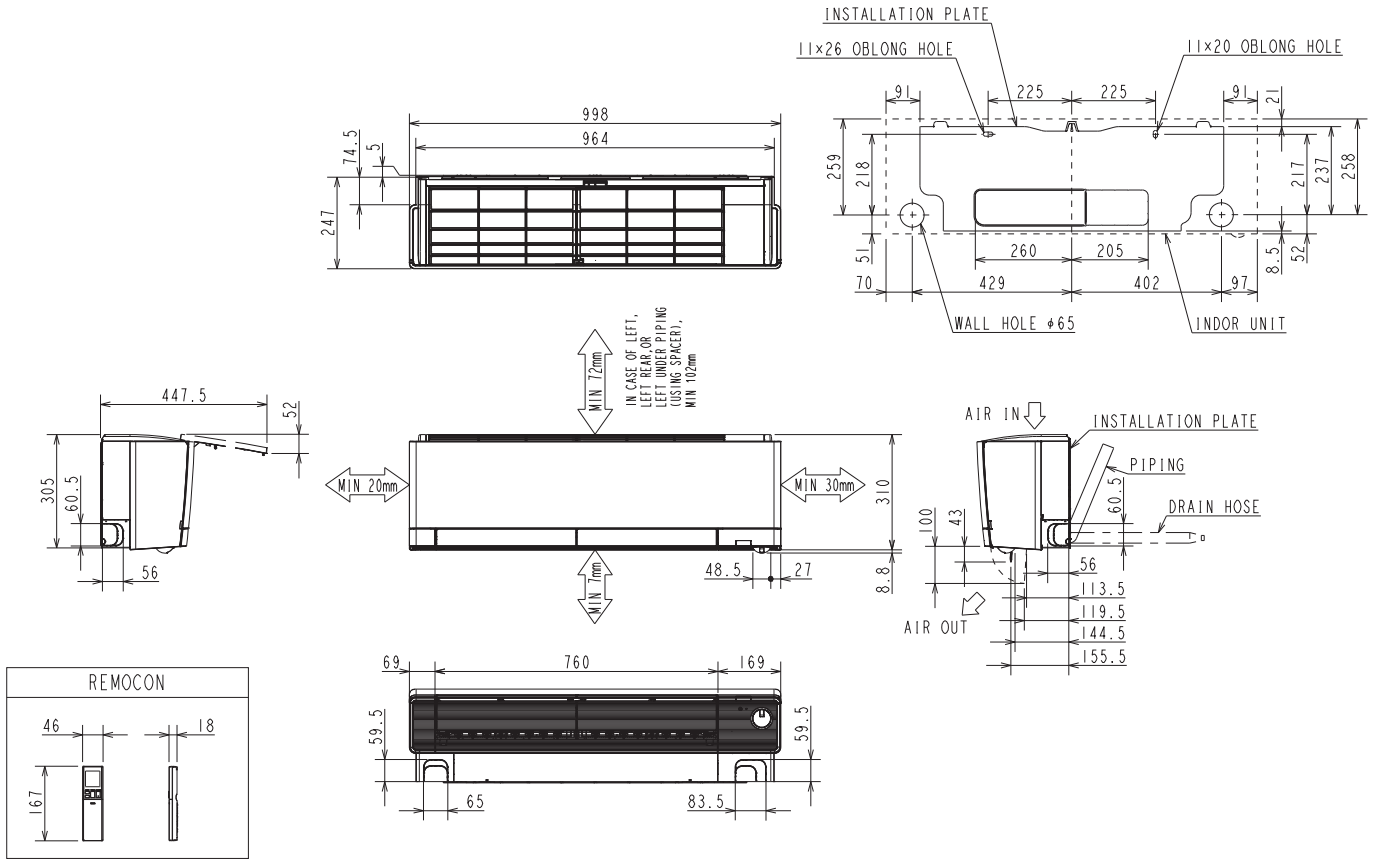


5

OUTLINES AND DIMENSIONS

MSY-AW09VF
MSY-AW13VF
MSY-AW18VF

Unit: mm



MSY-AW09/13VF

PIPING	INSULATION	ø40 O.D
	LIQUID LINE	ø6.35 - 0.5m (FLARED CONNECTION ø6.35)
	GAS LINE	ø9.52 - 0.45m (FLARED CONNECTION ø9.52)
DRAIN HOSE		INSULATION ø29 CONNECTED PART ø16 O.D

MSY-AW18VF

PIPING	INSULATION	ø40 O.D
	LIQUID LINE	ø6.35 - 0.5m (FLARED CONNECTION ø6.35)
	GAS LINE	ø12.7 - 0.45m (FLARED CONNECTION ø12.7)
DRAIN HOSE		INSULATION ø29 CONNECTED PART ø16 O.D