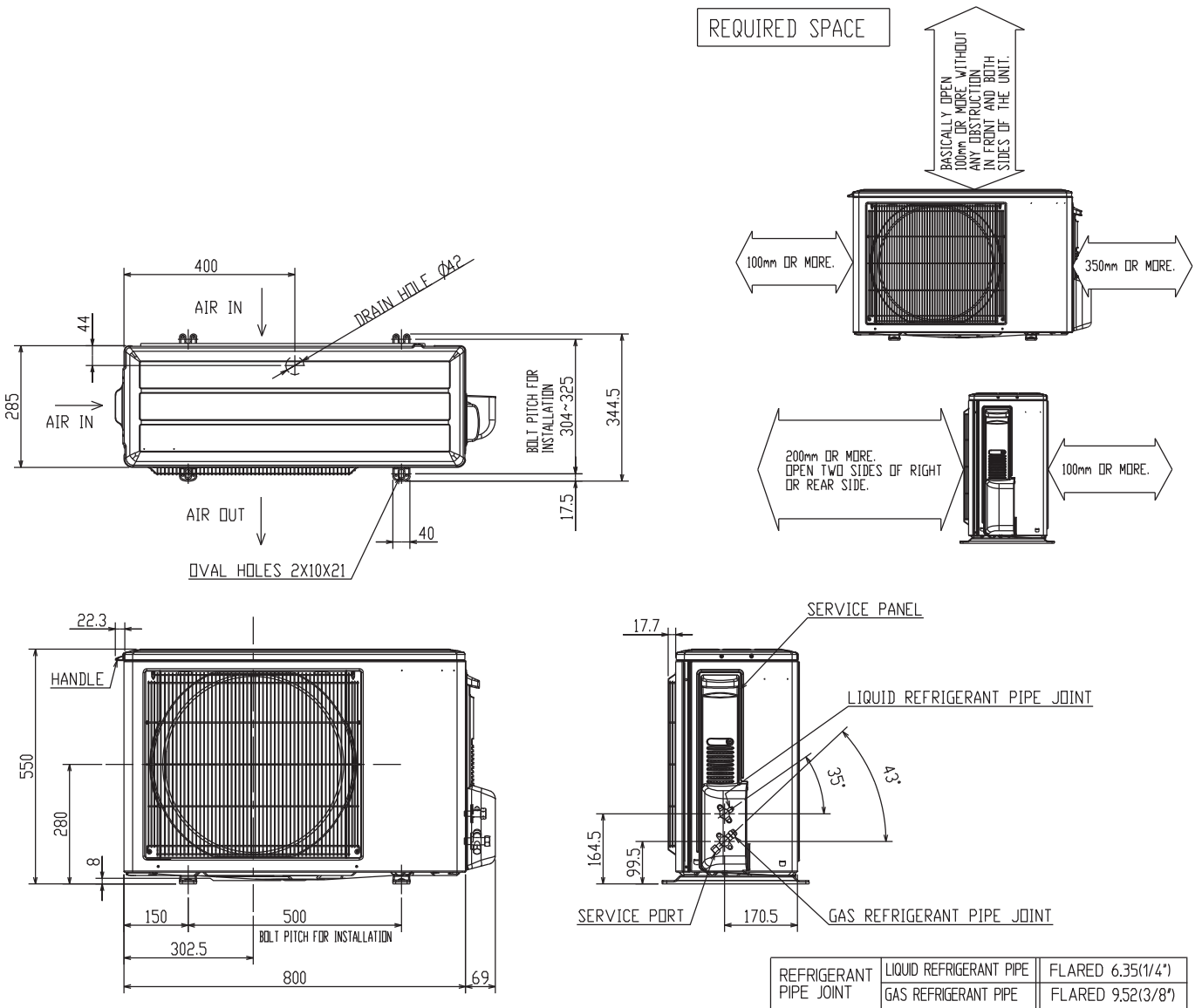


# 6

# OUTLINES AND DIMENSIONS

MUY-AW09VF MUY-AW13VF

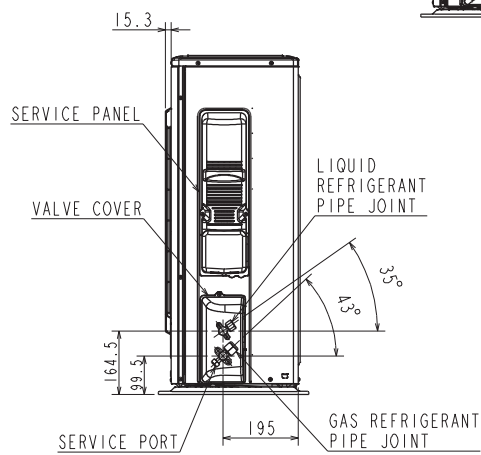
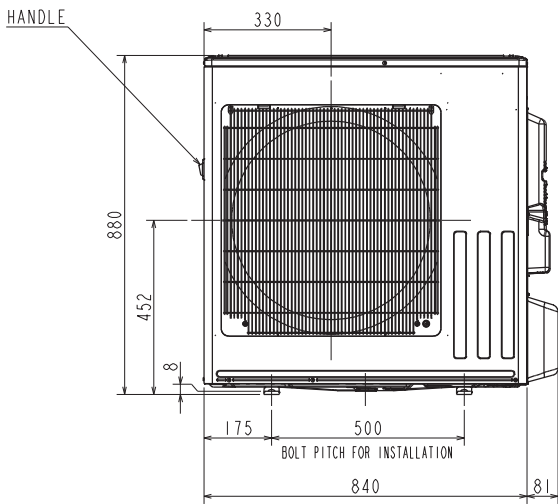
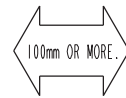
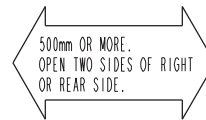
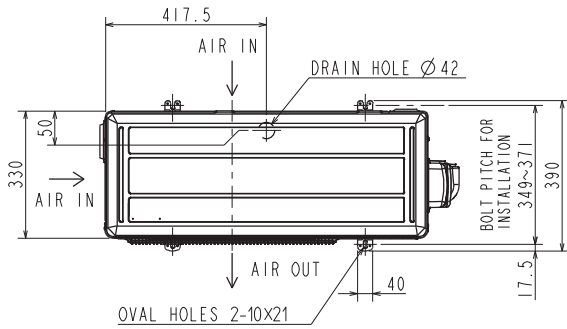
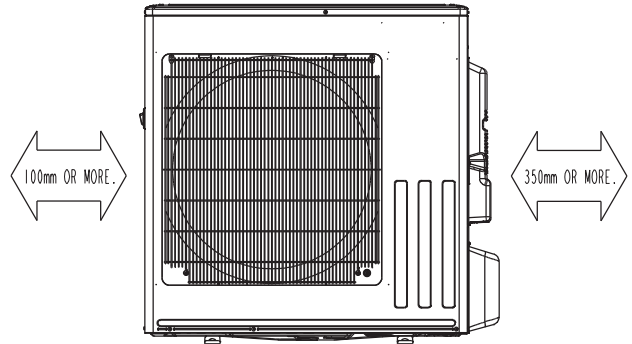
Unit: mm (inch)



MUY-AW18VF

Unit: mm (inch)

REQUIRED SPACE



REFRIGERANT PIPE JOINT	LIQUID REFRIGERANT PIPE	FLARED $\varnothing$ 6.35 (1/4")
	GAS REFRIGERANT PIPE	FLARED $\varnothing$ 12.7 (1/2")