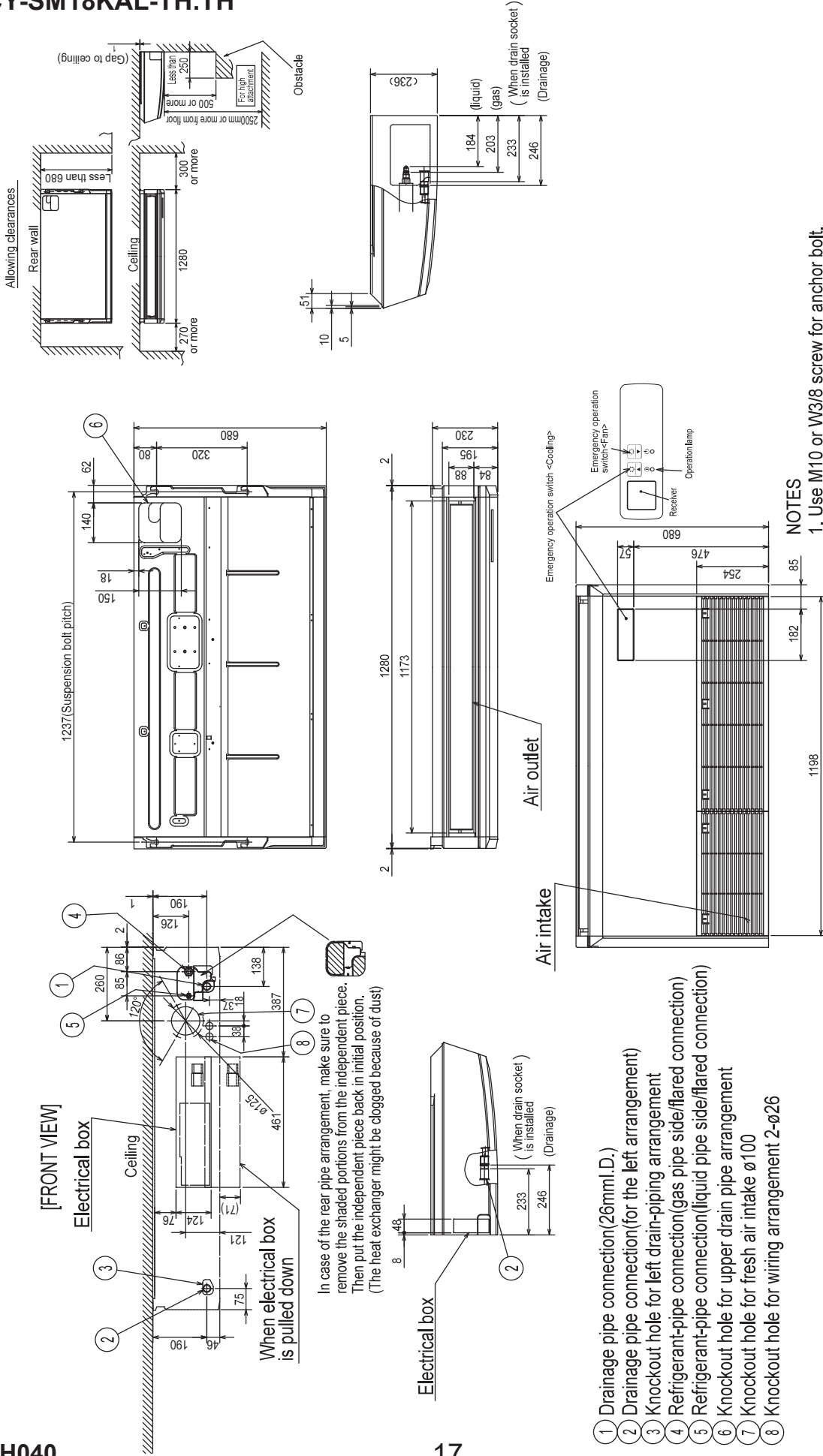


PCY-SM13KAL-TH.TH
PCY-SM18KAL-TH.TH

Unit: mm

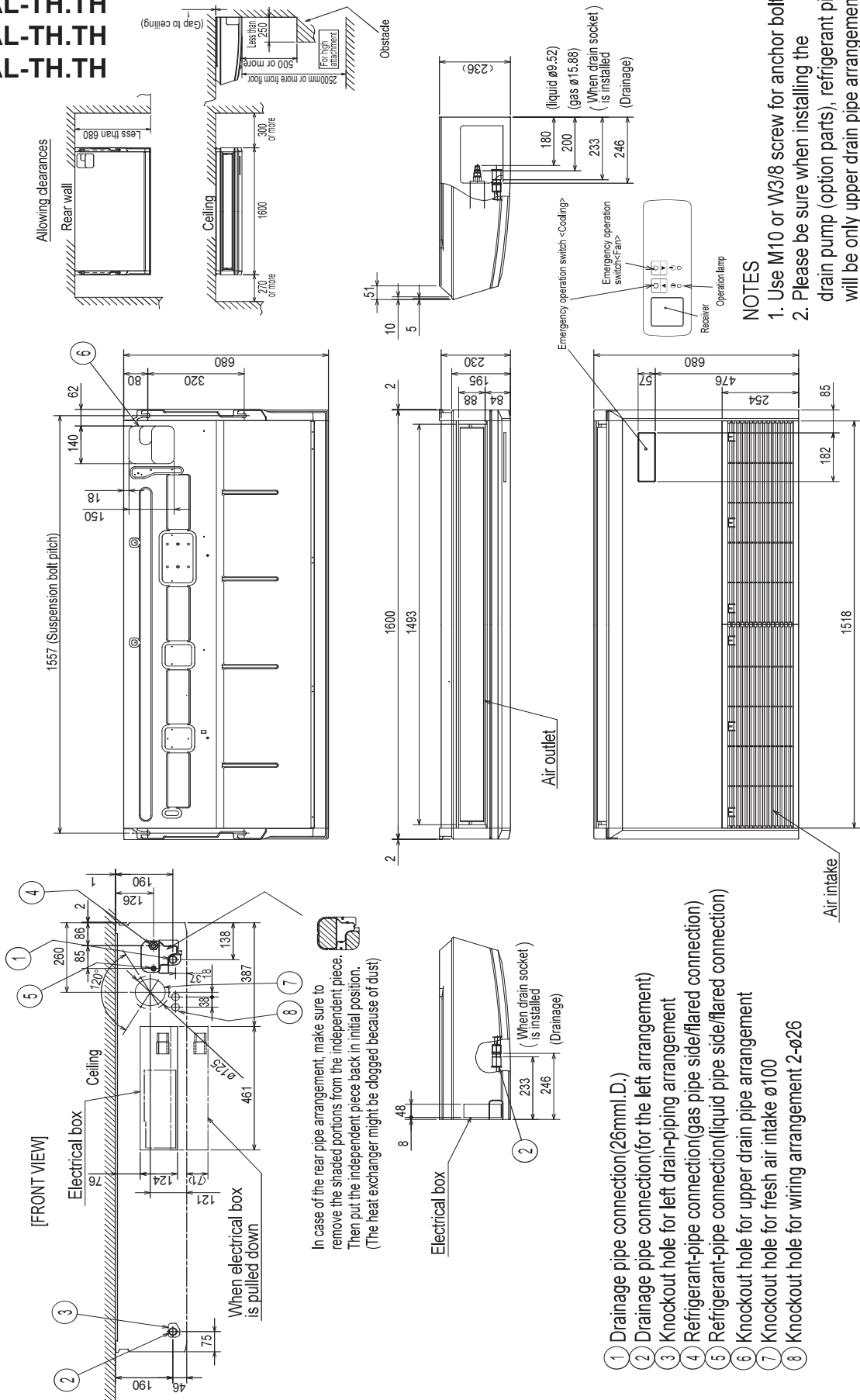


NOTES
1. Use M10 or W3/8 screw for anchor bolt.
2. Please be sure when installing the drain pump (option parts), refrigerant pipe will be only upper drain pipe arrangement.

- ① Drainage pipe connection(26mm I.D.)
- ② Drainage pipe connection(for the left arrangement)
- ③ Knockout hole for left drain-piping arrangement
- ④ Refrigerant-pipe connection(gas pipe side/flared connection)
- ⑤ Refrigerant-pipe connection(liquid pipe side/flared connection)
- ⑥ Knockout hole for upper drain pipe arrangement
- ⑦ Knockout hole for fresh air intake $\phi 100$
- ⑧ Knockout hole for wiring arrangement 2- $\phi 26$

PCY-SM24KAL-TH.TH
 PCY-SM30KAL-TH.TH
 PCY-SM36KAL-TH.TH
 PCY-SM42KAL-TH.TH
 PCY-SM48KAL-TH.TH

Unit: mm



NOTES

1. Use M10 or W3/8 screw for anchor bolt.
2. Please be sure when installing the drain pump (option parts), refrigerant pipe will be only upper drain pipe arrangement.