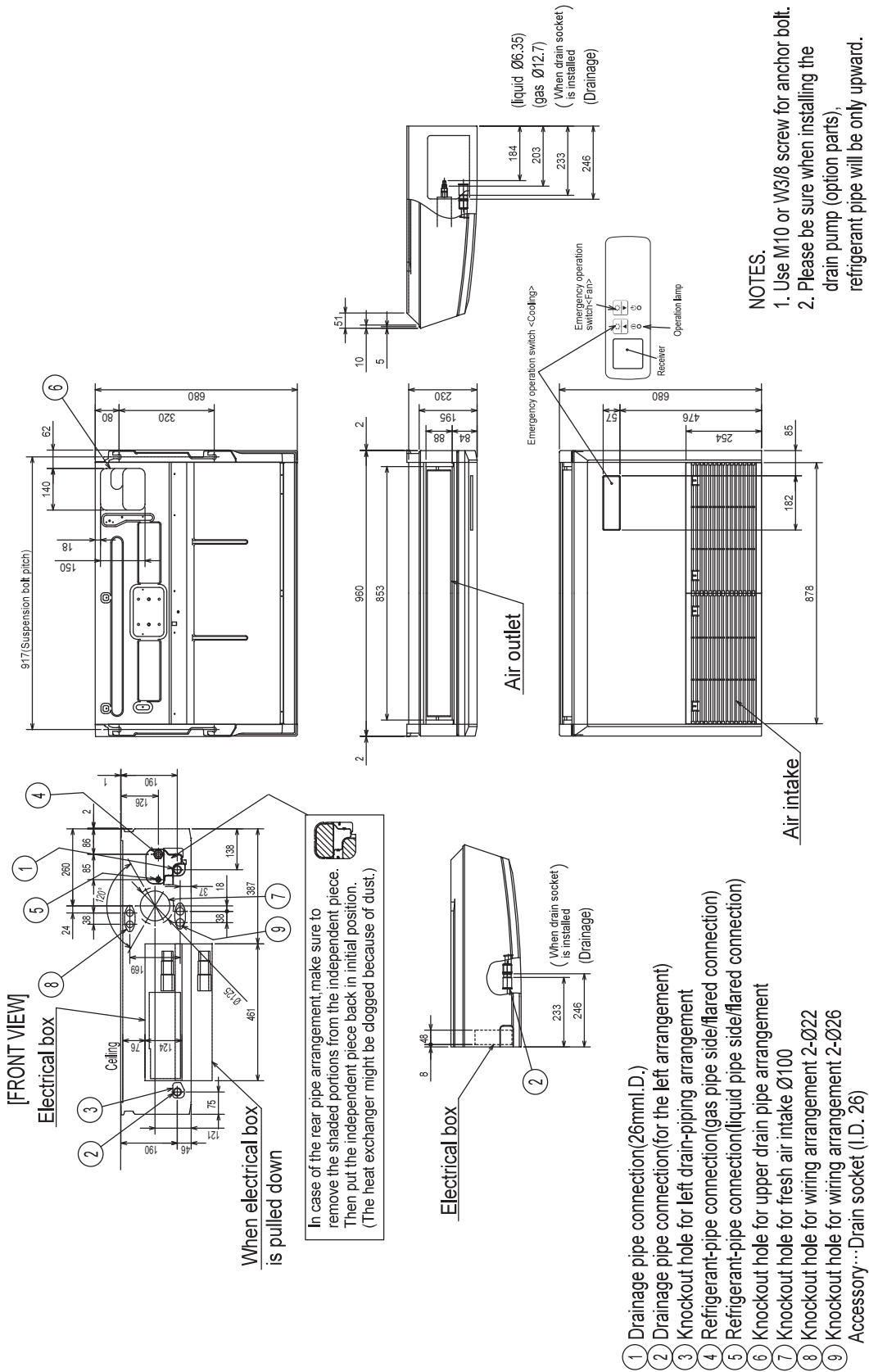


PC-M13KAKL-TH

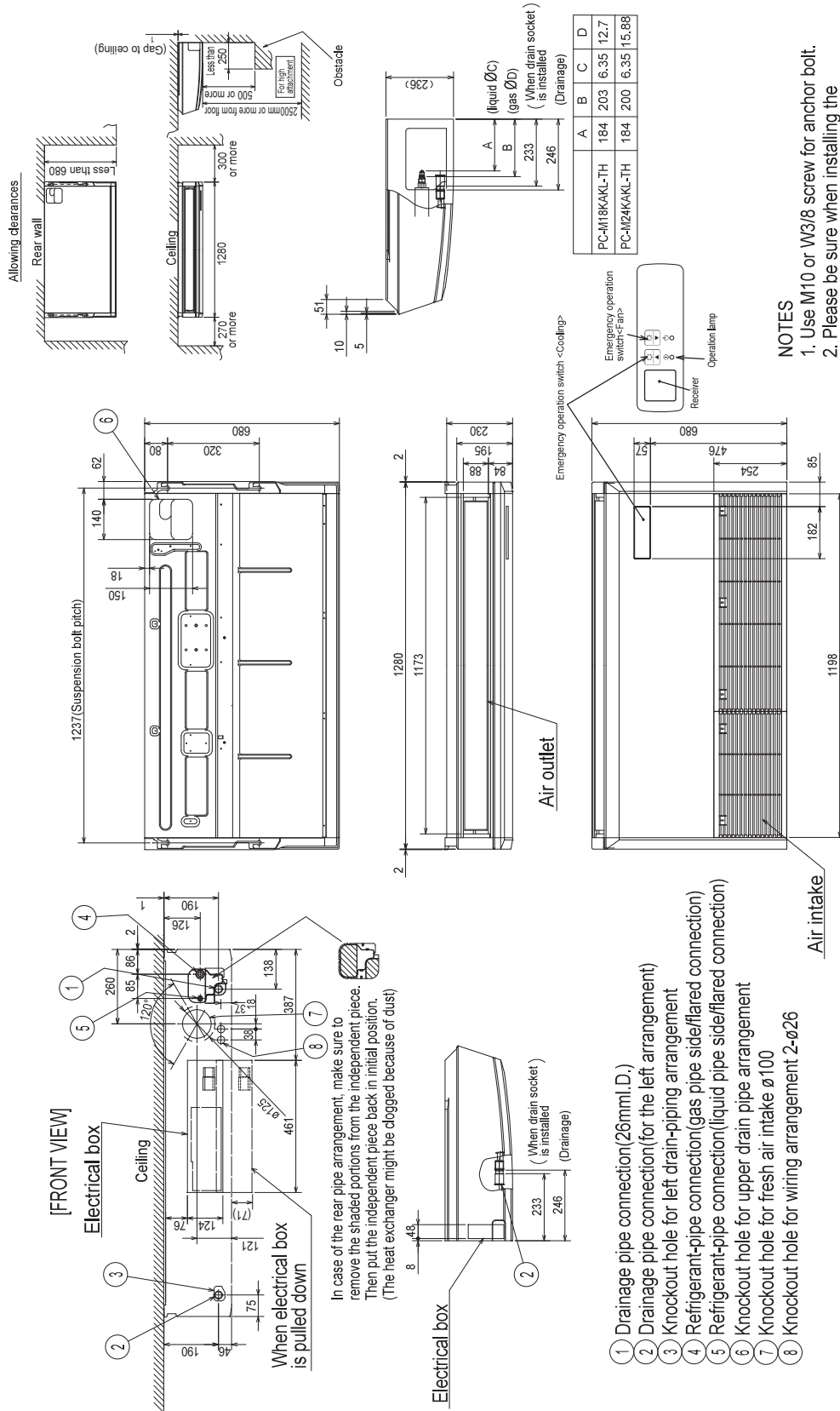
Unit: mm



PC-M18KAKL-TH

PC-M24KAKL-TH

Unit: mm



- NOTES**
1. Use M10 or W3/8 screw for anchor bolt.
 2. Please be sure when installing the drain pump (option parts), refrigerant pipe will be only upper drain pipe arrangement.

- 1 Drainage pipe connection (26mm I.D.)
- 2 Drainage pipe connection (for the left arrangement)
- 3 Knockout hole for left drain-piping arrangement
- 4 Refrigerant-pipe connection (gas pipe side/flared connection)
- 5 Refrigerant-pipe connection (liquid pipe side/flared connection)
- 6 Knockout hole for upper drain pipe arrangement
- 7 Knockout hole for fresh air intake ø100
- 8 Knockout hole for wiring arrangement 2-ø26

PC-M30KAKL-TH
PC-M42KAKL-TH

PC-M36KAKL-TH
PC-M48KAKL-TH

Unit: mm

